

PPC-101

Over/Under Checkweigher

Are Your Food Costs out of Control?



Gain Control with Accurate Portioning!

by **Yamato**

Over/Under Indicator

Long Battery Life

Application

Perfect for any situation where fast and easy portion control is desired. PPC-101's portability and versatility allows you to customize it to any application.

Features

- ◆ Over/Under Checkweigher
- ◆ Stainless Steel Platform
- ◆ Large LCD Display
- ◆ Battery Operation
- ◆ Auto Zero Setting Mechanism
- ◆ Initial Zero Setting Mechanism
- ◆ Auto Shut-Off
- ◆ Push Button
On, Off, Net/Gross,
Tare, & Unit Toggle
- ◆ LCD Indicators
Net/Gross, Center of Zero,
Stable, & Low Battery



PPC-101 with Analog Meter

Options

- ◆ Analog Meter with
3 Preset Memory
- ◆ AC Adaptor

Light Weight and Portable

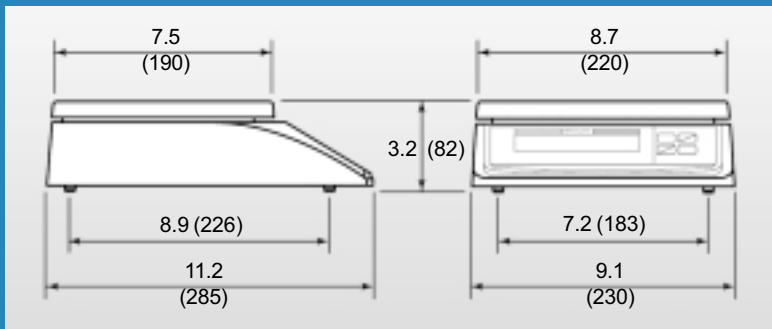
Removable Stainless Steel Platform

Specification

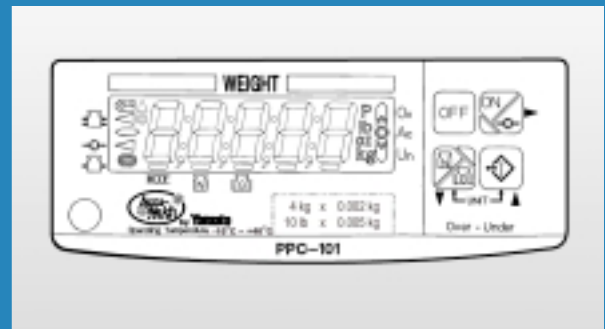
Model	PPC-101	
Accuracy Class	Class III 2000 Divisions	
Certificate of Conformance #	98-125A2	
Capacity and Division	Decimal Pound	Decimal Kilogram
	4 lb x 0.002 lb	2 kg x 0.001 kg
	10 lb x 0.005 lb	4 kg x 0.002 kg
	Division	Pound / Ounce
	5 lb x 0.05 oz	80 oz x 0.05 oz
	10 lb x 0.1 oz	160 oz x 0.1 oz
Weighing System	Strain Gauge Load Cell	
Platform	7.5 x 8.7 (190 x 220); Stainless Steel	
Indicator	Liquid Crystal Display: 5 Digits plus indicators Character size: 0.9 x 0.5 (23 x 12)	
Power Supply	9 Volt DC; 6 "D" size batteries (not included) AC Adaptor (optional)	
Battery Life	1000 Hours of Continuous Use (alkaline batteries)	
Operating Temp.	14°F ~ 104°F (-10 C ~ 40 C)	
Shipping Weight	8 lb (3.6 kg)	

All weights and dimensions are approximate. Dimensions are given in inches and (millimeters).

Dimensions



Indicator \ Keypad



Yamato

SOLD BY:



Universal Scale Service
7980 Mill Station Rd
Sebastopol, CA 95472
Ph : (707) 829-8482
(800) 578-7948
Fx : (707) 829-3925

Fast Affordable Quality Repairs

YCO-1084-08-01 Printed in U.S.A.