

Mini Hugger

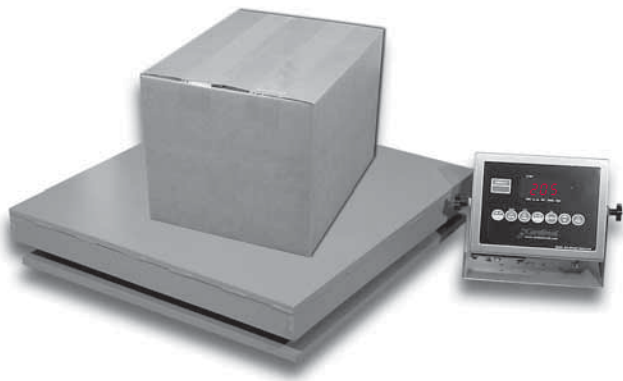
Floor Scale



- 500 lb x 0.2 lb
- 24" x 24" Platform
- Singled Point Sealed Load Cell
- 10' Long Load Cell Cable

ISO
REGISTERED 9001

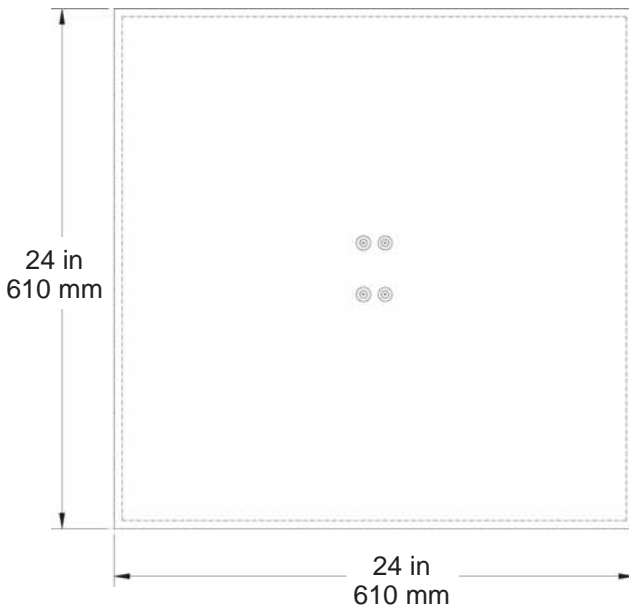




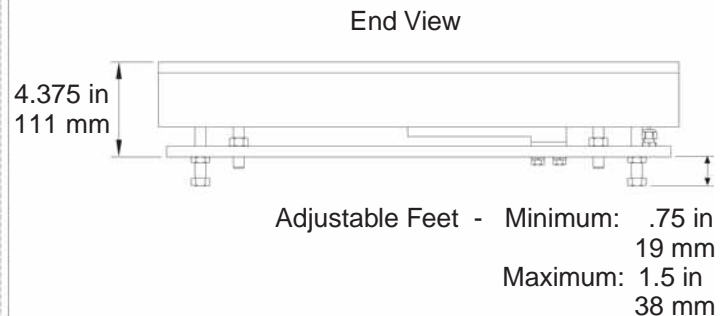
Great for industrial applications, Cardinal's Mini Hugger floor scale is rugged enough for everyday use in the busiest of warehouses. Cardinal's heavy duty load cell and 1/2 inch thick steel deck plate mean low maintenance and high performance. Add a Cardinal 200 series indicator (such as the 205 shown) and you'll have a weighing system to get the job done accurately and reliably.

MH-524 Specifications

Capacity:	500 pounds
Division Value (e-min):	0.2 pound
Platform Size:	24 inches x 24 inches
Platform Height:	6 inches maximum
Construction:	Mild steel (painted blue)
Load Cell:	Cardinal CBH series
Load Cell Capacity:	500 kilograms
Overload, Safe:	1200 pounds
Overload, Ultimate:	2000 pounds
Overload Stops:	1 at each corner, adjustable 1 at load cell, adjustable
Mounting Feet:	4ea adjustable, 2 in diameter
Output at Capacity:	1.1 mV/V



Top View



End View

Cardinal Scale reserves the right to improve, enhance or modify features and specifications without prior notice.



Sold By:



**Universal
Scale
Service**

7980 Mill Station Rd
Sebastopol, CA 95472
Ph : (707) 829-8482
(800) 578-7948
Fx : (707) 829-3925

Fast Affordable Quality Repairs