

# PRICE COMPUTING SCALE

## R-220

15 PLU Preset Keys      Large Capacity  
Dual Display              Drainage Platform

### Applications

Perfect for any point-of-sales application. R-220's programmable PLU's provide high transaction rates with simple operation. Its large capacity and small division size allows you to handle a wide range of commodities, yet maintain high accuracy.

### Features

- ◆ 40 lb Capacity
- ◆ 15 PLU Preset Keys
- ◆ 30 PLU Memories
- ◆ Stainless Steel Platform
- ◆ Bright Fluorescent Display
- ◆ Customer Display (pictured below)
- ◆ Automatic Zero Setting Mechanism
- ◆ Initial Zero Setting Mechanism
- ◆ Unit Price Auto Clear (can disable)
- ◆ Tare Auto Clear (can disable)
- ◆ Full Numeric Keypad with 00 Key
- ◆ Push Button Keys
  - On, Off, Tare, Tare Save, Clear, Unit Price Save, & Mode
- ◆ Indicators
  - Tare, Center of Zero, Tare Save, & Unit Price Save

### Specifications

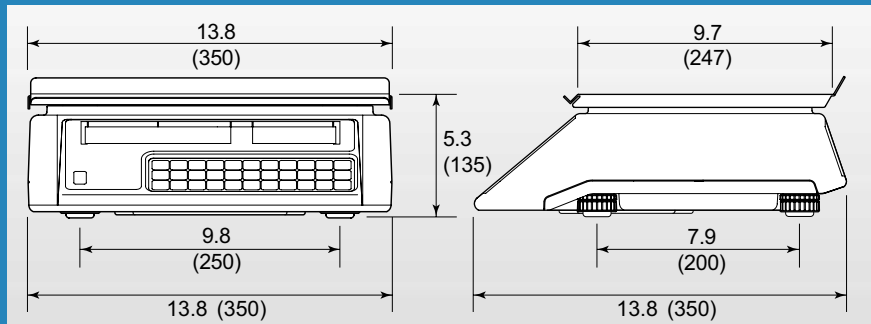
<b>Model</b>	R-220	
<b>Capacities and Divisions</b>	Decimal Pound 40 lb x 0.01 lb	or Decimal Kilograms 20 kg x 0.005 kg
<b>Accuracy Class</b>	Class III 2000 Divisions	
<b>Certificate of Conformance #</b>	98-205A1	
<b>Weighing System</b>	Strain Guage Load Cell	
<b>Platform</b>	9.7 x 13.8 (247 x 350); Stainless Steel	
<b>Indicator</b>	Dual Display; Vacuum Fluorescent Tube Weight: 5 Digits Unit Price: 5 Digits Total Price: 6 Digits	
<b>Maximum Tare</b>	40 lb or 9 kg	
<b>Price Look Up</b>	15 PLU Preset Keys, 30 PLU Memeories	
<b>Power Supply</b>	AC 115 Volts, 5.8 Watts	
<b>Operating Temp.</b>	23°F - 94°F (-5 C - +35 C)	
<b>Shipping Weight</b>	20 lb (9 kg)	



Customer Display

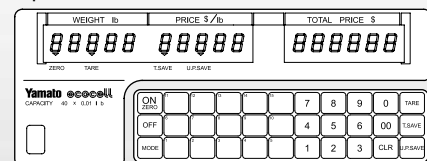
All weights and dimensions are approximate. Dimensions are given in inches and (millimeters).

### Dimensions



### Indicator \ Keypad

#### Operator



#### Customer

