

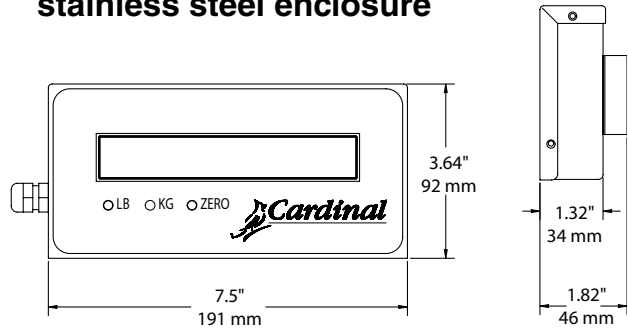


SB-80 Remote Display

Cardinal's SB-80 features a 0.8" high LED display, viewing range of 20 feet, AC adapter (included), and combination of desk and wall-mount stainless steel enclosure. For indoor use only, this unit is perfect for warehouse floor scales. It requires a two-wire connection to the indicator, with a maximum distance of 25 feet from the indicator for RS232 and 1,000 feet for a 20mA current loop.

- 6-digit, 0.8" high LED display
- Displays remote readout and tracks digital weight indicator
- Viewing range of 20 feet / 6 meters
- Combination desk and wall-mount stainless steel enclosure

Display.....0.8" / 20 mm high LED, 7 digits
(6 for weight, 1 for minus sign)
Power.....12 VDC, 300mA adapter
(115 VAC, 60 Hz adapter)
Annunciators.....lb, kg, ZERO
Interface.....20mA current loop, RS-232
Display Capacity.....-999999 to 999999
Enclosure.....stainless steel
Viewing Range.....20' / 6 m



SOLD BY:



**Universal
Scale
Service**

7980 Mill Station Rd
Sebastopol, CA 95472
Ph : (707) 829-8482
(800) 578-7948
fx : (707) 829-3925

Fast Affordable Quality Repairs