



SB-250 Remote Display

The SB-250 employs many of the same features of the SB-500, but in a smaller package. Message board capabilities are standard with all

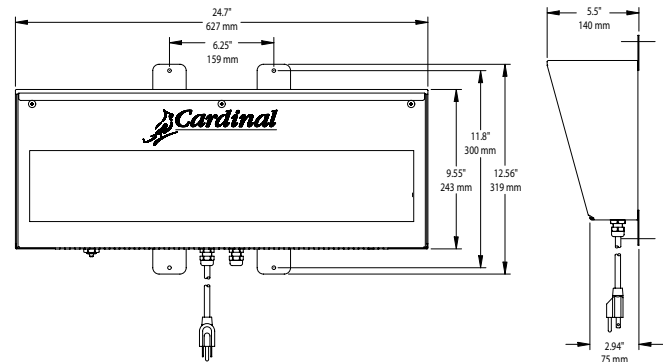
SB-250s and feature digits 2.6 inches high consisting of an array of nine 5 x 7 alphanumeric characters for crisp, clean readouts of upper and lower case letter messages.

SPECIALS



- Character Height**.....2.6" / 66 mm
- Character Type**.....5 x 7 with descenders and decimal points
- Annunciators**.....lb, kg, T, t, G, N (if output from indicator)
- Ambient Light Levels**.....total darkness to direct sun
- Power Input**.....115/230 VAC 50/60 Hz
- Power Consumption**.....60 watts, maximum
- Interface**.....20mA - active or passive, RS-232, RS-422, RS-485 fiber optic, ethernet
- Display Capacity**.....-99999 to 999999
- Enclosure Rating**.....NEMA 4/IP65
- Enclosure**.....painted mild steel
- Viewing Angle**.....+/- 70°
- Viewing Range**.....200' / 61 m
- Ambient Temperature**.....-15° to +130° F (-26° to 54° C)
- Character Format**.....all standard printable ASCII characters

- **2.6" (66 mm) high intensity LED display**
- **10 levels of brightness**
- **Message board standard**
- **Cardinal's own *Smart Configuration* software allows custom formats**
- **Connect via serial, fiber optic, or ethernet to your digital indicator**



SOLD BY:



Universal Scale Service

7980 Mill Station Rd
Sebastopol, CA 95472
Ph : (707) 829-8482
(800) 578-7948
Fx : (707) 829-3925

Fast Affordable Quality Repairs